

CHANNEL

SAFETY SYSTEMS

ENTRiTech™

VIDEO ONLY



Video Door Entry Panel with Keypad

CHANNEL SAFETY SYSTEMS

Petersfield Business Park
Bedford Road
Petersfield
Hampshire
GU32 3QA

t: 0845 884 7000

f: 0845 884 6000

e: sales@channelsafety.co.uk

w: www.channelsafety.co.uk

VIDEO DOOR ENTRY PANEL WITH KEYPAD USER'S MANUAL

D/ENT/VPAN/KP



SPECIFICATION	
Input Voltage	12V-18V DC
Operating Temperature	-10°C ~ 55°C
Stand-by Current	12mA
Operating Current	600mA
Camera	1/3" CCD
Illumination	0.05Lux
Mode	Dual Transmission
Operating Time	2 minutes

Codes

The factory default master code is 1 2 3 4

To change the master code.

1. Remove power from the keypad
2. Apply power whilst holding down the * key. The unit will then give a long continuous tone.
3. When the tone stops, release the * key and enter your new 4 digit master code.

To enter programming mode.

1. Press the * key, after 2 beeps enter the 4 digit master code.
2. When you hear the 3 beeps and the LED flashes you are in the programming mode.
3. To exit programming mode press the * key.

Adding User Codes

1. Enter programming mode.
2. Enter a 2 digit user reference number (01-40).
3. Enter the 4 digit user code for the chosen user reference. If the chosen code is already in use the unit will emit a long tone followed by two beeps. If the code is permitted then a two beep confirmation tone will sound.
4. Codes entered against user references 31-40 will latch the lock/relay open until the code is re-entered. (commonly used for deliveries)
5. To enter further user codes repeat from step 2. To exit the programming mode press the key.

Deleting user codes

1. Enter programming mode.
2. Enter the 2 digit reference number (01-40) to be deleted, a two beep confirmation will be heard.
3. Press the **#** key to delete user reference. A three beep confirmation tone will be heard.
4. To delete further user codes repeat from step 2. To exit the programming mode press the key.

Deleting a user code from an unknown user reference

1. Enter programming mode.
2. Press the **#** key, the red LED remains on.
3. Enter the 4 digit user code to be deleted. Three beeps will be heard.
4. To delete further user codes repeat from step 2. To exit the programming mode press the key.

'Delete All'

Warning only use in extreme circumstances, all settings will be lost.

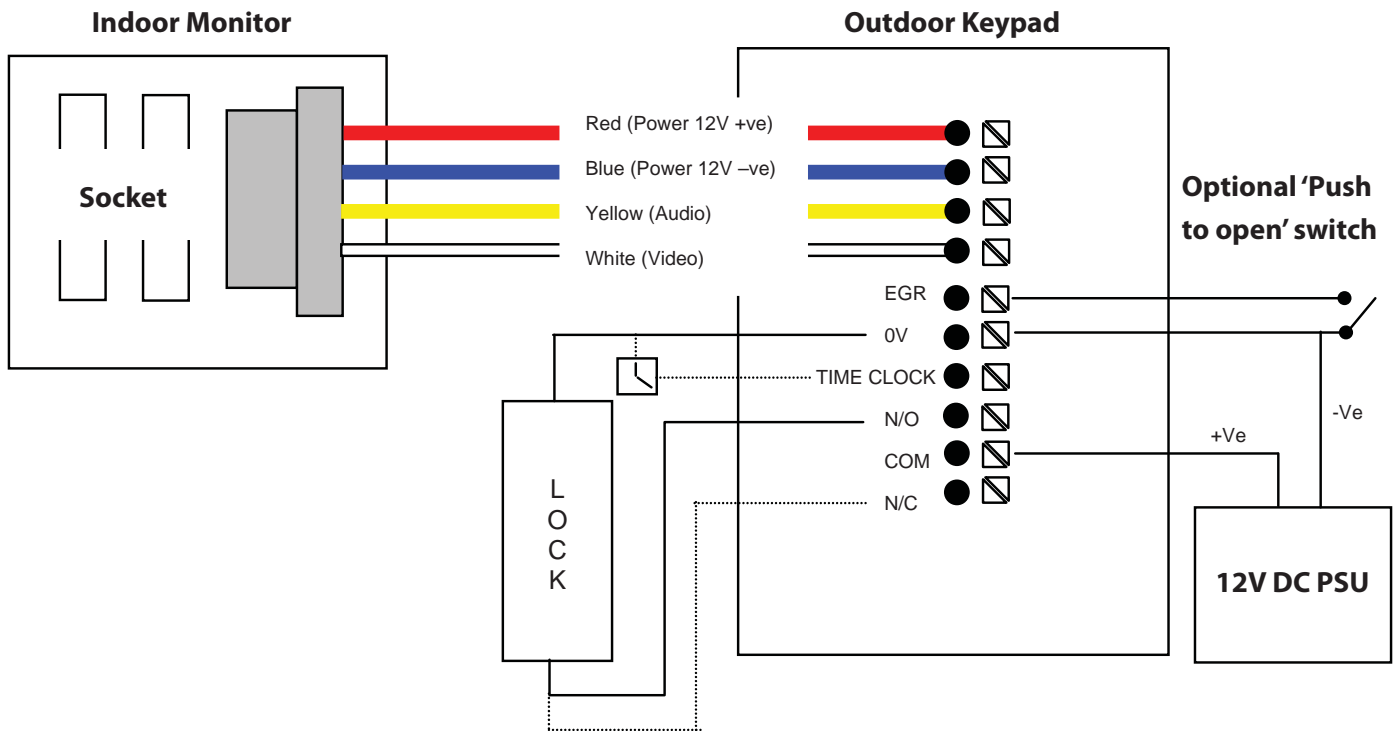
1. Enter programming mode.
2. Press the **#** key once, the unit beeps twice, LED flashes.
Press the key a further 7 times. The unit will beep 5 times & the LED will extinguish. All the user codes are now deleted and the lock/relay time setting is changed to 1 second. **The master code is not affected.**

Setting Lock/Relay time

The lock/relay will operate for a preset amount of time, factory setting is 5 seconds.

1. Enter programming mode.
2. Press 00 (this selects special user reference 00)
3. Enter the required lock/relay operation time 01-99 seconds
4. Press to exit programming mode.

WIRING DIAGRAM – DC LOCK



The 12V Supply is switched on to, or away from the lock by the normally open or closed terminals. The type of lock determines which terminal is used. Fail secure (N/O) Fail safe (N/C).

A time clock can be added to override user codes 10-20 & 36-40. This will stop codes within these ranges being operative whilst the time clock input is active.

CHANNEL SAFETY SYSTEMS

Petersfield Business Park
Bedford Road
Petersfield
Hampshire
GU32 3QA

t: 0845 884 7000

f: 0845 884 6000

e: sales@channelsafety.co.uk

w: www.channelsafety.co.uk

VIDEO DOOR ENTRY PANEL WITH KEYPAD USER'S MANUAL