

# CHANNEL

SAFETY SYSTEMS

# SafeSpot™



**LED emergency downlights**  
from Channel Safety Systems



# SafeSpot™

## LED Downlights

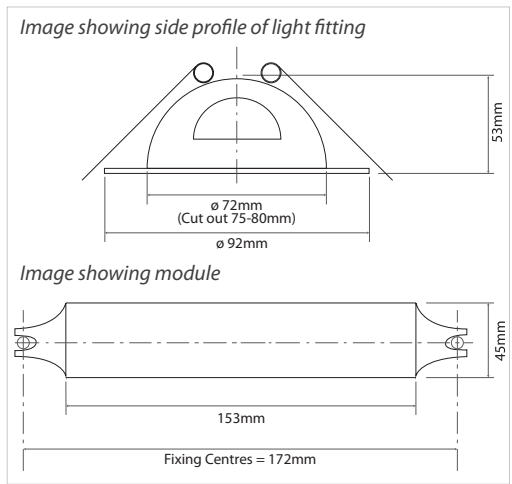
Unique range of stylish self testing, high performance, Everlight 3W LED emergency downlights.



### Features

- Enhanced optical performance gives increased spacing between units
- Discreet flush installation with easy fit custom designed connectors
- Long life LED technology
- Simple plug & go installation
- Integral fault warning buzzer (with on/off switch) and LED
- Uses lithium battery
- Meets BS EN 60598-2-22 and other relevant standards
- Self-test operation as standard to BS EN 62034

SPECIFICATIONS			
Housing Material	Polycarbonate	Emergency Duration	3 hours
Standard Colour	White RAL 9003	Average lumen output	92-114lm C = 92lm OA = 109lm POE = 114lm
Light Source	1 x 3W everlight LED	Mains current wattage (average)	4W
Protection Category	IP40	Recharge period	Less than 24 hours
Supply Voltage	230V 50Hz ±10%	Charge fault indicator	Integral green/red LED Integral fault buzzer (switchable)
Battery	3 hour Lithium battery backup	Change over voltage	As per the requirements of BS EN 60598-2-22
Operating Temp	0-40°C non condensing	Weight	Lamp - 80g Module 200g



## Escape Route Light

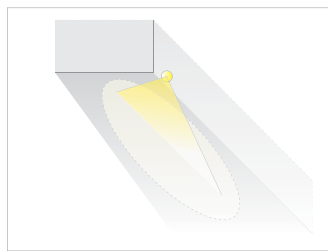


Image shows an example of light distribution for Safe Spot's Escape Route Light.

PHOTOMETRIC SPACING DATA (1 lux)		
Mounting height		
2.5m	13.8	9.7
3m	14.6	7.9
3.5m	14.4	6.7
4m	13.5	6.9



PRODUCT CODE	DESCRIPTION
E/SSPOT/LED/C	Safespot 3hr emergency light self-test maintained LED module - Escape Route Light (corridor)
E/SSPOT/LED/PP	Safespot 3hr emergency light self-test power inverter pack

**Please note:** To order you need to select appropriate LED module and inverter pack. For example, 1x E/SSPOT/LED/OA + 1x E/SSPOT/LED/PP



# LED

## Open Area Light

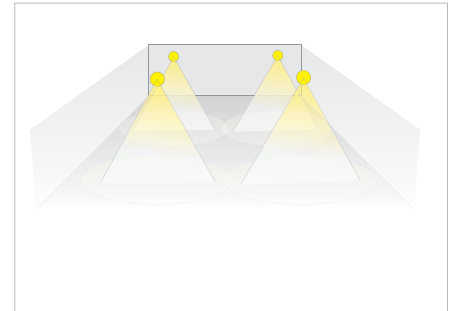


Image shows an example of light distribution for Safe Spot's Open Area Light.

### PHOTOMETRIC SPACING DATA (1 lux)

Mounting height	
2.5m	9.7
3m	9.5
3.5m	10.25
4m	10.20

PRODUCT CODE	DESCRIPTION
E/SSPOT/LED/OA	Safespot 3hr emergency light self-test maintained LED module - Open Area Light
E/SSPOT/LED/PP	Safespot 3hr emergency light self-test power inverter pack

**Please note:** To order you need to select appropriate LED module and inverter pack. For example, 1x E/SSPOT/LED/OA + 1x E/SSPOT/LED/PP



# LED

## Point of Emphasis Light

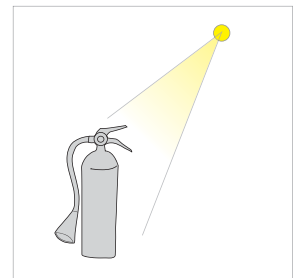


Image shows light distribution for Safe Spot's Point of Emphasis Light.

### PHOTOMETRIC SPACING DATA (1 lux)

Mounting height	
2.5m	3.75
3m	3.8
3.5m	3.7
4m	3.5

PRODUCT CODE	DESCRIPTION
E/SSPOT/LED/POE	Safespot 3hr emergency light self-test maintained LED module - Point of Emphasis Light
E/SSPOT/LED/PP	Safespot 3hr emergency light self-test power inverter pack

**Please note:** To order you need to select appropriate LED module and inverter pack. For example, 1x E/SSPOT/LED/OA + 1x E/SSPOT/LED/PP



Other lighting products available from Channel Safety Systems include:

