

CHANNEL

SAFETY SYSTEMS

Razor™



LED emergency exit signage
from Channel Safety Systems



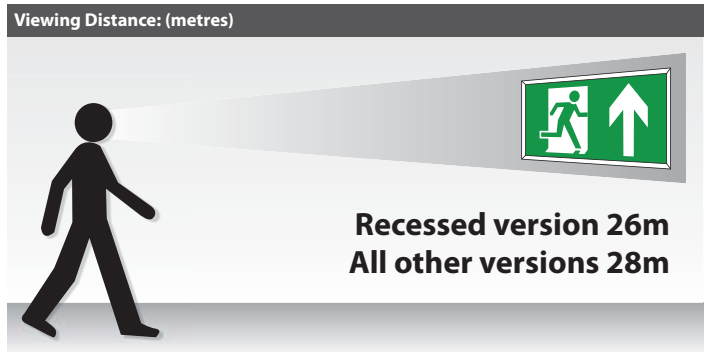
Razor™

LED Emergency Exit Sign

The ultra slim-line Razor LED emergency exit sign range offering hanging, recessed, flush mounted and wall/ceiling mounted versions.

Features

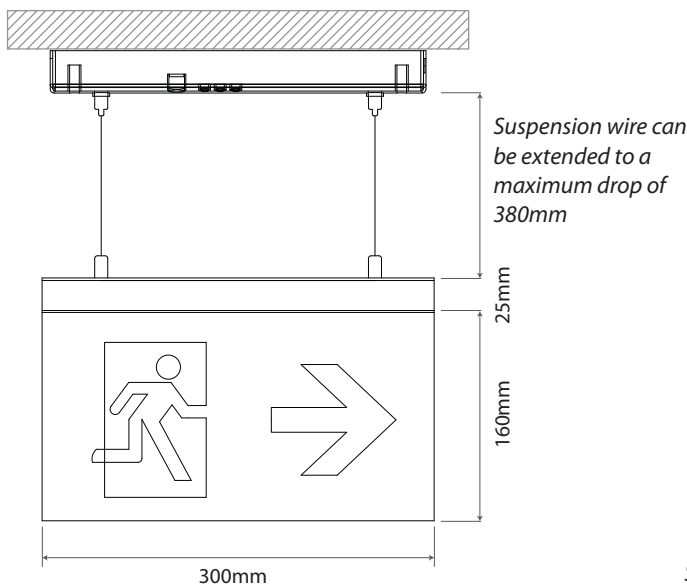
- Comprehensive family, comprising hanging, recessed, hanging recessed and wall/ceiling mounted versions
- Stylish ultra slim-line and compact range of LED exit signs complete with arrow up pictograms (other arrow options available)
- 3 hour maintained versions
- Long life LED technology
- Sleek unobtrusive design with aluminium LED sign extension and polycarbonate gear housing
- Viewing distances of 28m and 26m (recessed version only)
- Push to test function (excluding wall mounted version)
- Adjustable suspension heights available on hanging exit signs only
- The suspension wires in the Razor™ hanging version provide the SELV electrical supply to the LEDs so there is no need to have a visible power cable.
- Meets BS EN 60598-2-22 and other relevant standards



Please note image shown is not to scale and is for pictorial reference only

SPECIFICATIONS	
Housing material	Polycarbonate / Aluminium
Standard colour	White RAL 9003 + Silver
Printing foil	Silk screen
Viewing Distance	28m & 26m (recessed)
Illuminant	16x LED - white
Protection category	IP40
Supply voltage	230V 50Hz ± 10%
Battery	3.6V 900mAh NiCd
Operating temperature	0 - +55°C (Non Condensing)
Weight	0.8Kg

Hanging Fitting



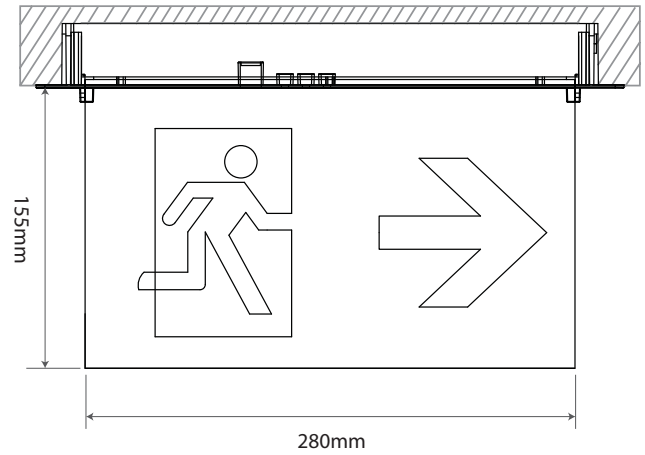
Surface dimensions Length 290mm Width 47mm Depth 35mm

PRODUCT CODE	DESCRIPTION
E/RZ/M3/LED/H	Razor 3 hour maintained LED exit sign hanging complete with arrow up - Blade size 300mm(L) x 160mm(H) x 7mm(D)





Recessed Fitting



Cut out dimensions 310mm x 47mm
 Flange 330mm x 75mm
 Depth 37mm

PRODUCT CODE DESCRIPTION

E/RZ/M3/LED/F Razor 3 hour maintained LED exit sign flush recessed mounted complete with arrow up - Blade size 280mm(L) x 155mm(H) x 7mm(D)

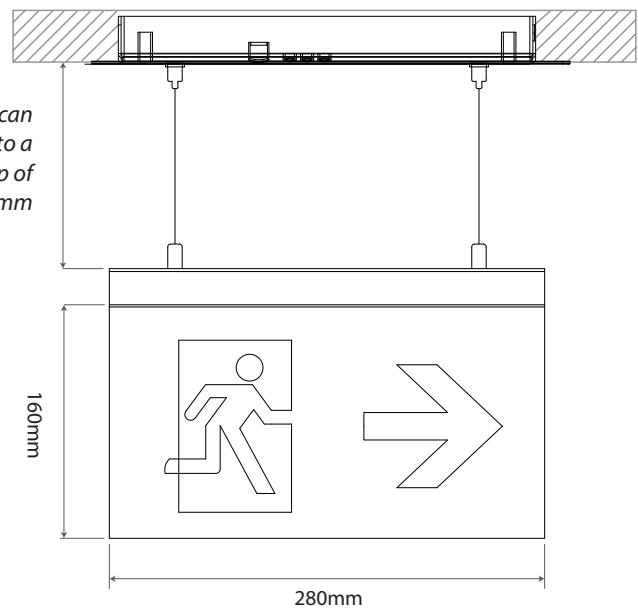
Please note: This fitting has a different blade size and if ordering additional pictograms use E/PIC/RZ/F/ALR, E/PIC/RZ/F/D and E/PIC/RZ/F/U



Hanging Recessed Fitting



Suspension wire can
 be extended to a
 maximum drop of
 380mm



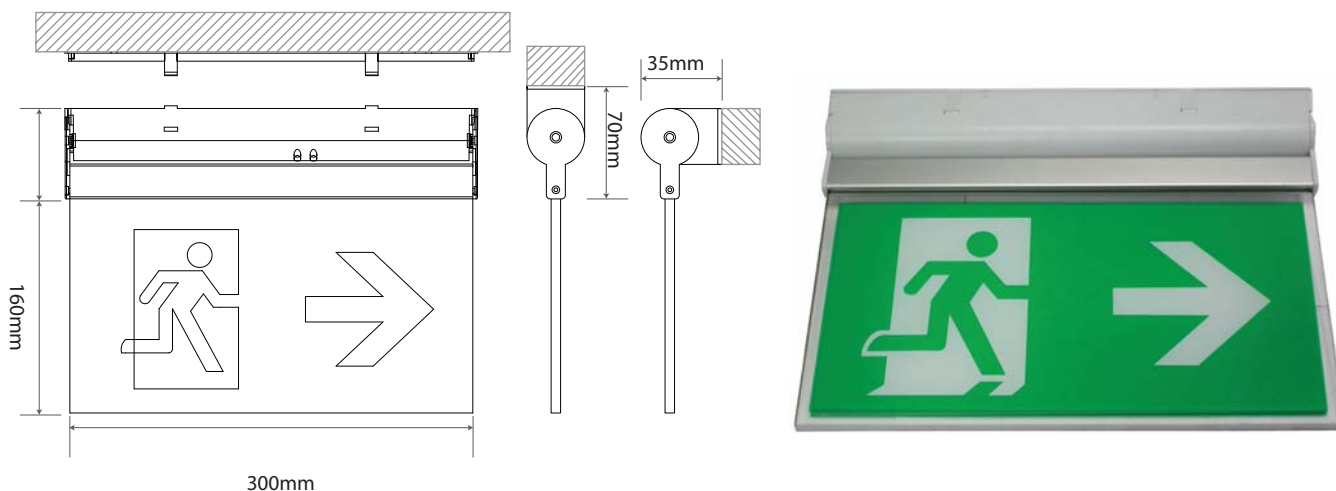
Cut out dimensions 275mm x 47mm
 Flange 290mm x 65mm
 Depth 35mm

PRODUCT CODE DESCRIPTION

E/RZ/M3/LED/R Razor 3 hour maintained LED exit sign hanging recessed complete with arrow up - Blade size 300mm(L) x 160mm(H) x 7mm(D)



Wall/Ceiling Fitting



Images above from left to right show; Wall/ceiling fitting (E/RZ/M3/LED/W), End views of ceiling and wall fitting options and product photograph

PRODUCT CODE	DESCRIPTION
E/RZ/M3/LED/W	Razor 3 hour maintained and non-maintained LED exit sign wall/ceiling fitted complete with arrow up - Blade size 300mm(L) x 160mm(H) x 7mm(D)

Razor™ Accessories

Arrow Down
(E/PIC/RZ/AD)



Arrow Left/Right
(E/PIC/RZ/ALR)



Arrow Up
(E/PIC/RZ/AU)



Are your emergency exit signs complying with the current legislation?

The Health and Safety Signs and Signals Regulations i, SI 341, introduced in 1996 to enact the EU Signs Directive ii, required that all text-only fire safety signs (i.e. EXIT or FIRE EXIT signs) produced to comply with BS 2560 should be replaced by 24th December 1998 with the pictogram format "running man" signs.

Consideration should not only be given to updating signs by changing the legend panels or diffusers, but also to taking the opportunity to test the installed signage products. Testing will often reveal that the internal battery also needs replacing. Replacement of just the legend panels or diffusers may be difficult if the sign luminaire type has been discontinued by the maker. This, combined with the possible need to replace the internal battery, will usually mean that it is more cost effective to replace the whole luminaire.

PRODUCT CODE	DESCRIPTION
E/PIC/RZ/ALR	Razor pictogram arrow double sided left/right
E/PIC/RZ/AD	Razor pictogram arrow down
E/PIC/RZ/AU	Razor pictogram arrow up
E/PIC/RZ/F/ALR	Razor pictogram for recessed fitting only arrow double sided left/right - Blade size 280mm(L) x 190mm(H) x 7mm(D)
E/PIC/RZ/F/AD	Razor pictogram for recessed fitting only arrow down- Blade size 280mm(L) x 190mm(H) x 7mm(D)
E/PIC/RZ/F/AU	Razor pictogram for recessed fitting only arrow up - Blade size 280mm(L) x 190mm(H) x 7mm(D)

Errors & omissions excluded. Specification is subject to change without notice.

