

# Glade



**LED emergency downlights**  
from Channel Safety Systems



## LED Emergency Downlights

The Glade 1 watt non-maintained and 5 watt maintained are compact fittings that utilise the latest LED technology. This ensures an environmentally friendly emergency downlight.

### Features

- 1W non-maintained and 5W maintained versions available
- Long life LED technology
- Maintained or non-maintained 3 hour emergency backup
- Slim-line driver module
- Sleek & minimalist design
- Simple 'plug and go' installation
- Low environmental impact
- Low maintenance
- Meets BS EN 60598-2-22 and other relevant standards



5W maintained

1W non-maintained



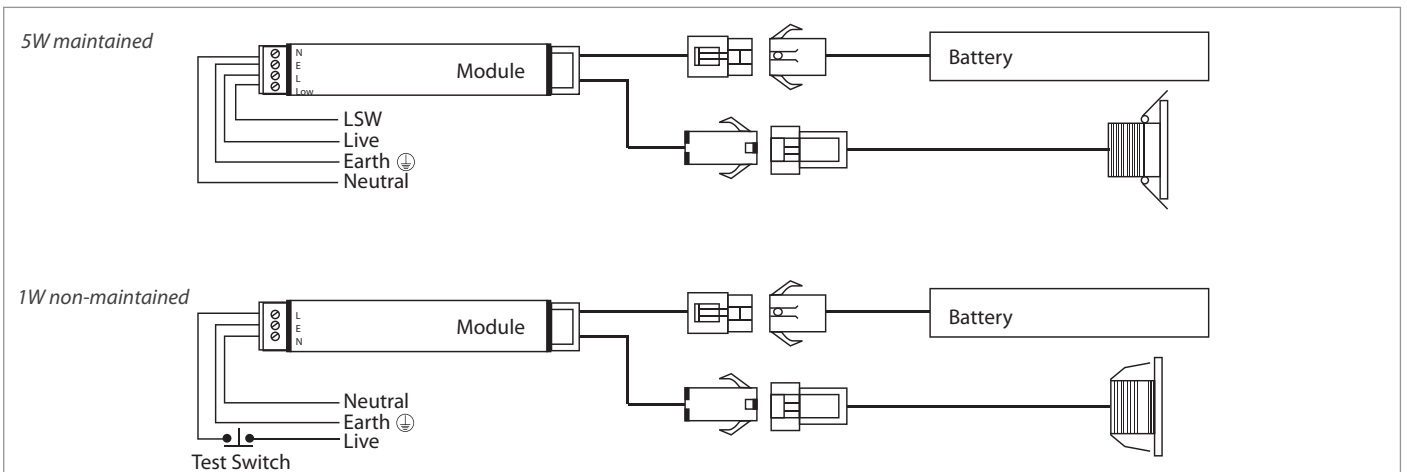
## Glade 1 Watt

SPECIFICATIONS	
Light Source	1 watt LED
IP Rating	IP40
Emergency Duration	3 hours (minimum) - non-maintained
Mains Voltage	230V 50Hz ± 10%
Mains Current (max)	35mA
Recharge Period	Less than 24 hours
Charge Indicator	Integral green LED
Changeover Voltage	As per the requirements of BS EN 60598-2-22
Temperature Range	0°C to 40°C
Weight	Module and battery 250g Lamp head 4g
Battery	3.6V 1.5Ah Nickel Cadmium

## Glade 5 Watt

SPECIFICATIONS	
Light Source	5 watt LED
IP Rating	IP40
Emergency Duration	3 hours (minimum) - maintained
Mains Voltage	230V 50Hz ± 10%
Mains Current (max)	50mA
Recharge Period	Less than 24 hours
Charge Indicator	Integral green LED
Changeover Voltage	As per the requirements of BS EN 60598-2-22
Temperature Range	0°C to 40°C
Weight	Module and battery 555g Lamp head 230g
Battery	3.6V 4.5Ah Nickel Cadmium

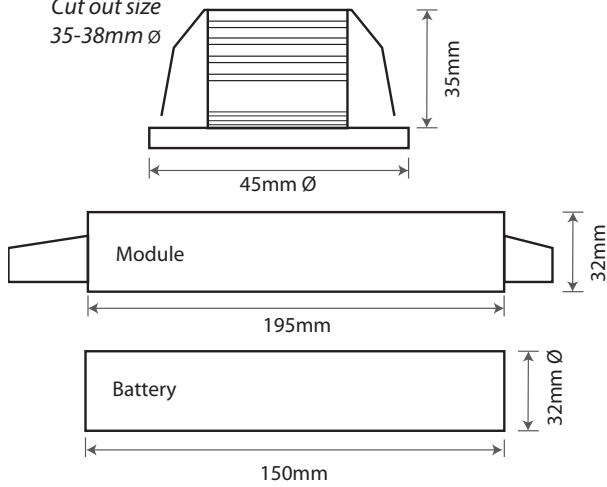
## Installation Drawings





# 1W LED Downlight

Cut out size  
35-38mm Ø



The 1 watt maintained Glade is ideal for locations such as escape routes, panic areas and small spaces.

### Features

- Utilises 1 x 1 watt LED
- Designed to fit through a 36-38mm ceiling aperture

### PHOTOMETRIC SPACING DATA (1 lux)

Mounting height				
2.5m	2.4	5.8	5.4	2.4
4m	1.0	4.9	5.2	1.0

### PRODUCT CODE

E/GL/LED/NM3/1W/WH

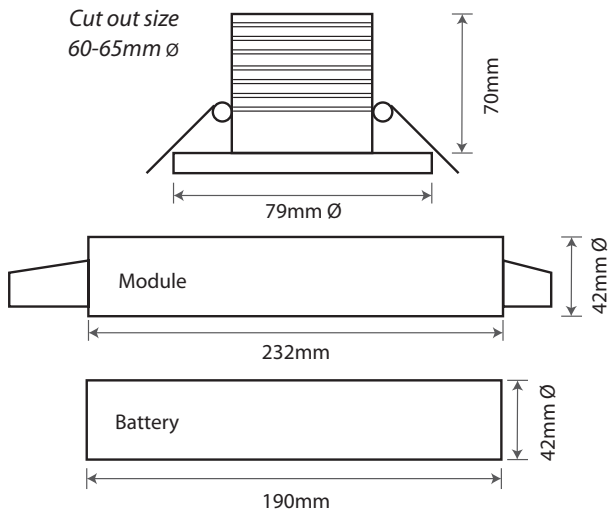
### DESCRIPTION

Glade 1W non-maintained LED mini down light - white



# 5W LED Downlight

Cut out size  
60-65mm Ø



The 5 watt maintained Glade is ideal for areas with high ceilings.

### Features

- Utilises 1 x 5 watt LED
- Designed to fit through a 60mm ceiling aperture
- Adjustable beam angle

### PHOTOMETRIC SPACING DATA (1 lux)

Mounting height				
2.5m	2.8	5.7	5.7	2.8
4m	3.4	7.3	7.3	3.4
6m	3.9	9.6	9.6	3.9

### PRODUCT CODE

E/GL/LED/M3/5W/WH

### DESCRIPTION

Glade 5W maintained LED mini down light - white

Other lighting products available from Channel Safety Systems include:

